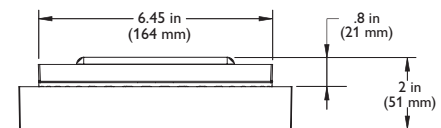
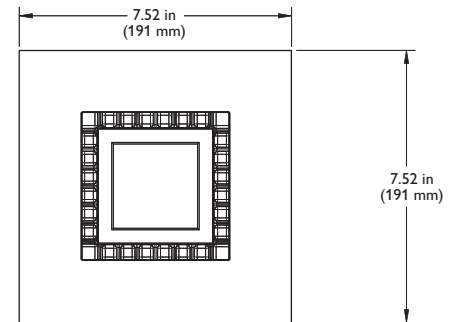
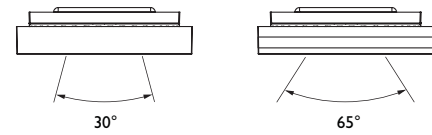


# Specifications

Due to continuous improvements and innovations, specifications may change without notice.

Item	Specification	2700 K	4000 K
Output	Beam Angle	30° FWHM / 65° FWHM ENERGY STAR	
	Lumens†	405 (30° beam angle) 527 (65° beam angle)	420 (30° beam angle) 525 (65° beam angle)
	Color Temperature	2700 K (+/- 145)	4000 K (+/- 275)
	Efficacy (Lm/W)	27.0 (30° beam angle) 35.1 (65° beam angle)	28.0 (30° beam angle) 35.0 (65° beam angle)
	CRI	84	85
	Lumen Maintenance‡	85,000 hours L70 @ 25° C 50,000 hours L70 @ 50° C	
Electrical	Input Voltage	100 / 120 / 220 – 240 / 277 VAC, 50 / 60 Hz	
	Power Consumption	15 W maximum at full output, steady state	
	Power Factor	0.95	
Control	Dimming	Compatible with many commercially available ELV, trailing edge, or reverse-phase control dimmers.*	
Physical	Dimensions (Height x Width x Depth)	7.5 x 7.5 x 2 in (191 x 191 x 51 mm)	
	Weight	3.1 lb (1.4 kg)	
	Housing	Die-cast aluminium chassis and bezel with black, white, or brushed aluminum finish	
	Lens	Clear polycarbonate	
	Fixture Connections	6 in (152 mm) flying leads (100 / 120 / 277 VAC) Terminal block (220 – 240 VAC)	
	Operating Temperature	-40° – 122° F (-40° – 50° C) Operating -4° – 122° F (-20° – 50° C) Startup	
	Humidity	0 – 95%, non-condensing	
Certification and Safety	Certification	UL / cUL, FCC Class B for 120 / 277 VAC, CE	
	LED Class	Class 2 LED product	
	Environment	Dry / Damp Location, IP50	
	Energy Efficiency	ENERGY STAR	



† Lumen measurement complies with IES LM-79-08

‡ L70 = 70% maintenance of lumen output. (When light output drops below 70% of initial output.)

\* See [www.colorkinetics.com/support/appnotes/notes/AN-eW\\_Dimming.pdf](http://www.colorkinetics.com/support/appnotes/notes/AN-eW_Dimming.pdf) for specific details.



OPTIBIN<sup>®</sup> | POWERCORE<sup>®</sup> | DIMAND<sup>®</sup>  
CK TECHNOLOGY | CK TECHNOLOGY | CK TECHNOLOGY



eW Downlight Powercore fixtures are available in three bezel colors: white, brushed aluminum, and black.