

eWBlast Powercore

BCP471 36xLED-HB/WW-2700 100-240V 21 WH



BCP471 - 36 pcs - LED High Brightness - Warm white - 2700 K - 100 to 240 V - Medium beam angle 21° - White

eW Blast Powercore is an LED lighting fixture providing a high-intensity wash of white light while consuming less energy than comparable non-LED light fixtures. Offering a choice of color temperatures and flexibility in positioning, it is ideal for applications as diverse as highlighting architectural features, general site illumination, and lighting signage and retail spaces. Long-life LEDs significantly reduce maintenance problems, allowing the use of white lighting in spaces where lamp maintenance may be impossible. A choice of lenses supports a wide range of white lighting applications. Integrated Powercore technology ensures rapid, efficient and accurate control of power output to the fixture directly from line voltage, eliminating the need for external power supplies. Use of standard wiring dramatically simplifies installation and helps lower total system cost.

Product data

• General information

Product family code	BCP471 [BCP471]
Number of lamps	36 [36 pcs]
Lamp family code	LED-HB [LED High Brightness]
Lamp color code	WW [Warm white]
Lamp color temperature	2700 [2700 K]
Driver included	true [Yes]
Safety class	I [Safety class I]
IP code	IP66 [Dust penetration-protected, jet-proof]
Optic	21 [Medium beam angle 21°]
Color	WH [White]
European Community mark	CE [CE mark]
Underwriters Laboratory mark	UL [UL mark]
Lifetime to 70% luminous flux	70000 hr

• Light technical

Color rendering index	82 [82]
-----------------------	---------

• Electrical

Supply voltage	100-240 V [100 to 240 V]
Line frequency	50-60 Hz [50 to 60 Hz]
System power	50 W [50 W]

• Product Data

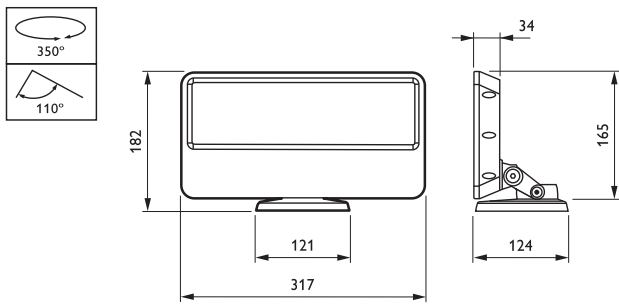
Order code	910503700781
Full product code	910503700781
Full product name	BCP471 36xLED-HB/WW-2700 100-240V 21 WH
Order product name	BCP471 36xLED-HB/WW-2700 100-277V 21 WH
Pieces per pack	1
Packs per outerbox	2
Bar code on pack - EAN1	8717943880485
Bar code on outerbox - EAN3	8717943880560
Logistic code(s) - 12NC	910503700781
Net weight per piece	3.000 kg



PHILIPS

sense and simplicity

Dimensional drawing



BCP471

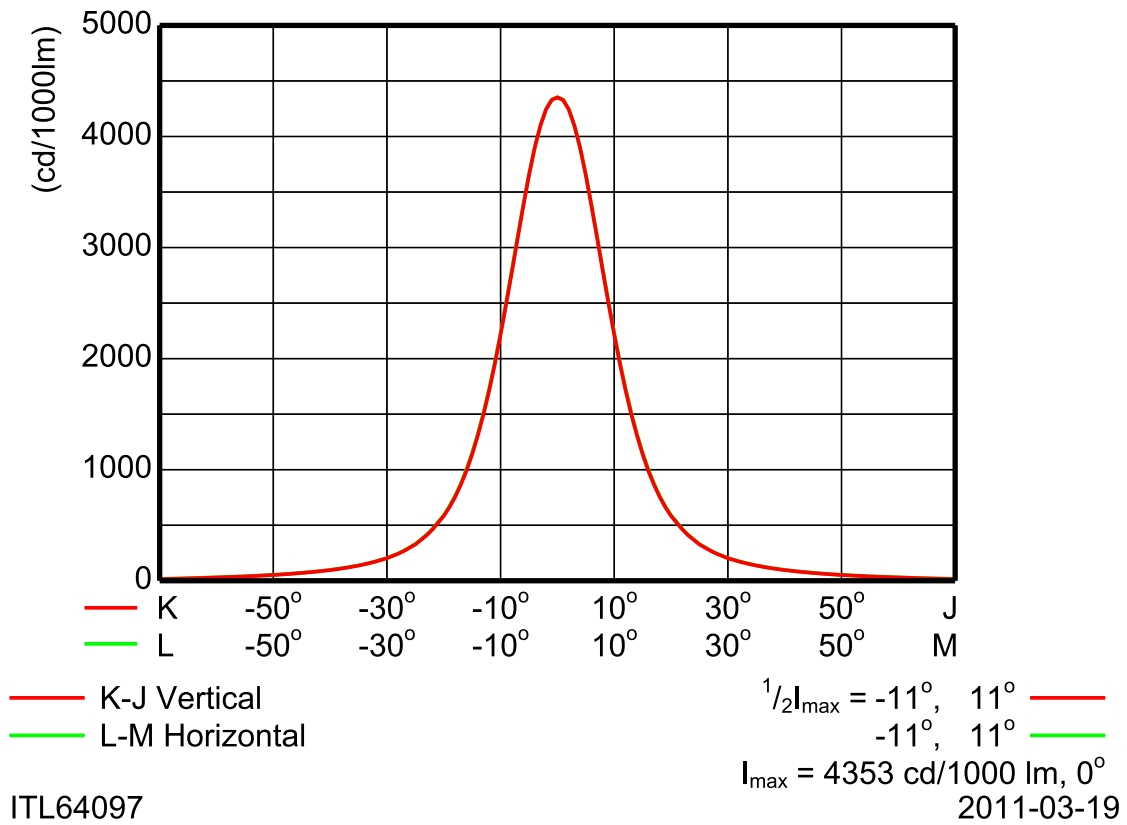
Photometric data

BCP471 36xLED-HB/WW 21

L.O.R.=1.00

36 x 49 lm

Cartesian Intensity Diagram



BCP471 36xLED-HB/WW 21



© 2012 Koninklijke Philips Electronics N.V.
All rights reserved.

Specifications are subject to change without notice. Trademarks are the property of Koninklijke Philips Electronics N.V. or their respective owners.

www.philips.com/lighting

2012, February 2
data subject to change