

ColorBurst Powercore

BCP462 19xLED-HB/RGB 100-240V HMA GR



BCP462 - 19 pcs - LED High Brightness - Red, green and blue - 100 to 240 V - Housing with medium-length arm - Grey

ColorBurst Powercore is a high-output, exterior-rated LED lighting fixture designed for accent and site lighting. Standard and compact format Architectural and Landscape fixtures deliver full-color light output to support a range of dynamic uplighting, floodlighting, and decorative lighting applications. Integrated Powercore technology ensures rapid, efficient and accurate control of power output to the fixture directly from line voltage, eliminating the need for external power supplies. Use of standard wiring dramatically simplifies installation and helps lower total system cost.

Product data

• General information

| | |
|------------------------------|--|
| Product family code | BCP462 [BCP462] |
| Number of lamps | 19 [19 pcs] |
| Lamp family code | LED-HB [LED High Brightness] |
| Lamp color code | RD/GN/BL [Red, green and blue] |
| Light source replaceable | false [No] |
| Driver included | false [No] |
| Housing configuration | HMA [Housing with medium-length arm] |
| Safety class | I [Safety class I] |
| IP code | IP66 [Dust penetration-protected, jet-proof] |
| Color | GR [Grey] |
| Dimmable | false [No] |
| Ambient temperature European | -20 up till +50°C [-20 up till +50°C] |
| Community mark | CE [CE mark] |
| Underwriters Laboratory mark | UL [UL mark] |

• Electrical

| | |
|----------------|--------------------------|
| Supply voltage | 100-240 V [100 to 240 V] |
|----------------|--------------------------|

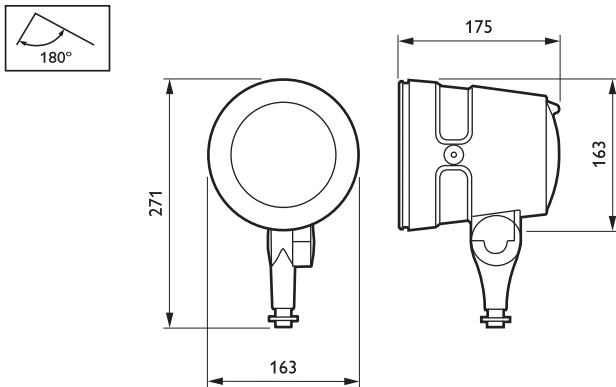
| | |
|----------------|------------------------|
| Line frequency | 50-60 Hz [50 to 60 Hz] |
|----------------|------------------------|

• Product Data

| | |
|-----------------------------|--------------------------------------|
| Order code | 910503700578 |
| Full product code | 910503700578 |
| Full product name | BCP462 19xLED-HB/RGB 100-240V HMA GR |
| Order product name | BCP462 19xLED-HB/RGB 100-240V HMA GR |
| Pieces per pack | 1 |
| Packs per outerbox | 2 |
| Bar code on pack - EAN1 | 8717943883790 |
| Bar code on outerbox - EAN3 | 8717943883813 |
| Logistic code(s) - 12NC | 910503700578 |
| Net weight per piece | 3.380 kg |



Dimensional drawing



BCP462 19 x HMA



© 2012 Koninklijke Philips Electronics N.V.
All rights reserved.

Specifications are subject to change without notice. Trademarks are the property of Koninklijke Philips Electronics N.V. or their respective owners.

www.philips.com/lighting

2012, February 2
data subject to change