

# TBS 520

Office  
Application

Page 07



# Product description

Recessed mounted luminaire with M1 optics specially designed for twin T5 and T8 lamps. This family is offered only in electronic version offering best of energy efficiency and performance.

## Features

- Sturdy housing made from CRAC.
- TL5 lamps options for energy saving and high light output.
- Easy to install, easy to maintain.
- Advanced lamellae for glare control.
- Available in 2x36 / 2x38 and 2x54 versions.

## Applications

- Office
- General interiors
- Retail outlets

## Mounting Type

Recessed mounted

## Installation

Provision for suspension through conduit or chain suspension.

## Compliance

IP 20

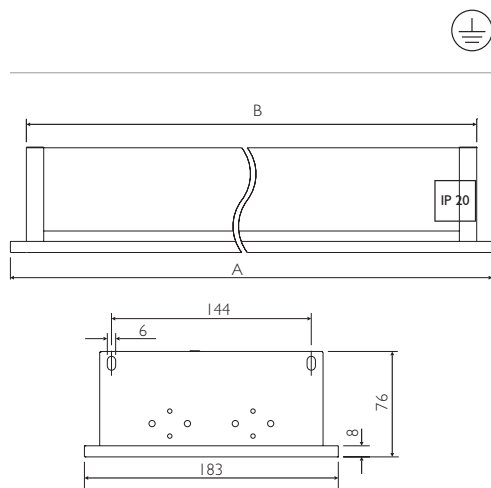
## Technical data

Type	For lamp	Nominal voltage (V)	Main current (A)	Nominal power factor
TBS 520 2xTL-D 36W WM1EBE	2xTL-D 36W	240	0.3	0.95
TBS 520 2xTL-5 28W EBEM	2xTL-5 28W	240	0.3	0.95

## Ordering data

Type	Ordering data	Quantity per box	Dimensions (mm)	Net weight (kg)	Gross weight (kg)	Volume (m3)
TBS 520 2xTL-D 36W M1EBE	919015010093	2	1290x235	3.1	7.5	0.060
TBS 520 2xTL-5 28W M1EBE	919015010094	2	1290x200	3.1	7.5	0.060

Dimmable version with 0-10 v dc Analog dimming and Digital Dali 'DALI' are available on request.



ITEM	A	B
TBS 520/236 M1	1248	1224
TBS 520/228 M1	1191	1167
TBS 520/254 M1	1191	1167

Technical Drawing

