

Recessed Luminaires



TBS 518



General Description

Widespread decorative luminaires for recessed mounting suitable for 'TL'D / TL' fluorescent lamps.

Features

- Housing made of CRCA sheet steel, powder-coated white, accommodating all electrical accessories pre-wired upto a terminal block.
- A specially designed high purity aluminium reflector with painted aluminium lamellae.
- Designed for recessed mounting.
- Choice of optics
 - M1: High-efficiency mirror optic of high quality aluminium with faceted side reflectors and diffuse white lamellae.
 - M5 : Improved-efficiency mirror optic of high quality matt finish aluminium with parabolic side reflectors and parabolic lamellae.

Applications

- Small offices
- Conference rooms
- Reception and public service areas
- Recreational areas (restaurants, cafeterias)
- Departmental stores
- Shops & boutiques
- General open plan office

Installation

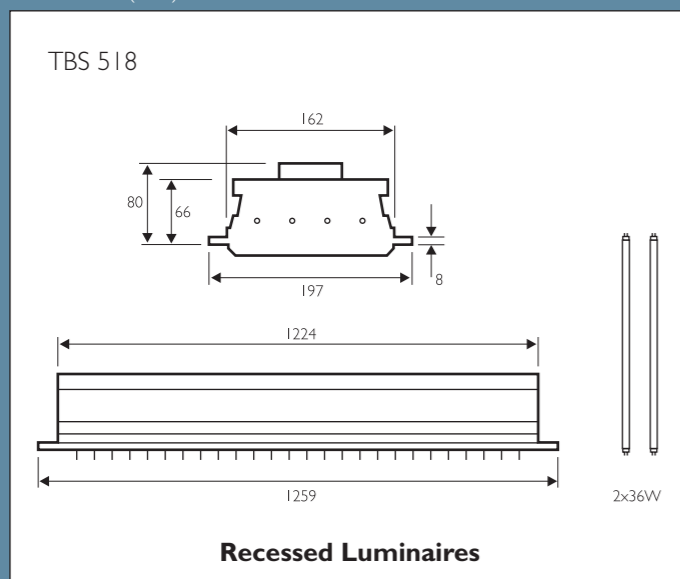
- Provision for suspension through conduit or direct on surface.

Compliances

- IP 20



Dimensions (mm)



Recessed Luminaires

TBS 518

Technical Data

Type	For Lamp	Nominal Voltage (V)	Mains Current (A)	Nominal Power Factor
TBS 518/236 M1 HPF	2 x 'TL'D 36W / 'TL' 40W	240	0.46	0.90
TBS 518/236 M1 HF	2 x 'TL'D 36W	240	0.30	0.95
TBS 518/236 M5 HPF	2 x 'TL'D 36W / 'TL' 40W	240	0.46	0.90
TBS 518/236 M5 HF	2 x 'TL'D 36W	240	0.30	0.95

Ordering Data

Type	Ordering No	Quantity per box	Dimensions (mm)	Net Weight (kg)	Gross Weight (kg)	Volume (m ³)
TBS 518/236 M1 HPF	1304 06605	2	1290 x 235 x 200	3.05 x 2	7.60	0.061
TBS 518/236 M1 HF	1300 23035	2	1290 x 235 x 200	2.50 x 2	6.50	0.061
TBS 518/236 M5 HPF	1304 05845	2	1290 x 235 x 200	3.20 x 2	7.90	0.061
TBS 518/236 M5 HF	1300 23045	2	1290 x 235 x 200	2.50 x 2	6.80	0.061

