

PHILIPS

sense and simplicity

Mystique RC795B

June 2011
Munish Peshin

PHILIPS

MYSTIQUE

High Efficiency Diffused Luminaires, DLOR > 72%,



- High efficiency Diffused Recessed mounted Luminaire suitable for use with 3xTL-5 14 watt and 4xTL-514watt lamps
- Average 395 Lux on work plane in 3x3 Grid and 350 lux in 3x4 Grid with three lamp Option.

PHILIPS

Feature & Specifications:

- 3xTL-5 14w and 4xTL-514watt lamps options driven of high frequency Performer Ballast which **results in sustained performance , flicker free start and low Energy consumption**



- High Transitivity thermoformed Opal diffuser which offers **higher downward light output and lamp shielding. DLOR > 72%. Reduction in connected Load**

- Recessed Mounted T5 Solution suitable for 60x60 grid ceiling- **Easy installation and maintenance**

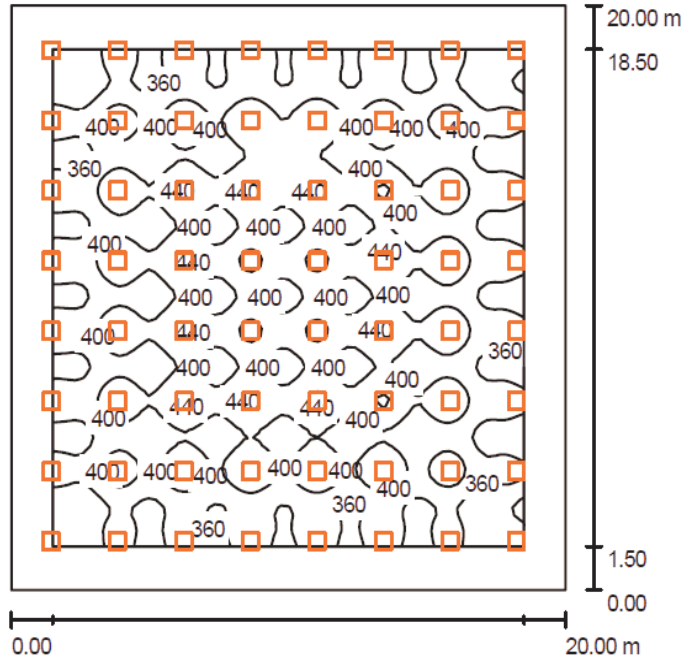
- High Reflectivity & Low glare Back reflector resulting glare free soothing light.

- Volumetric Lighting Distribution which helps to **lights up the ceiling and walls evenly**

PHILIPS

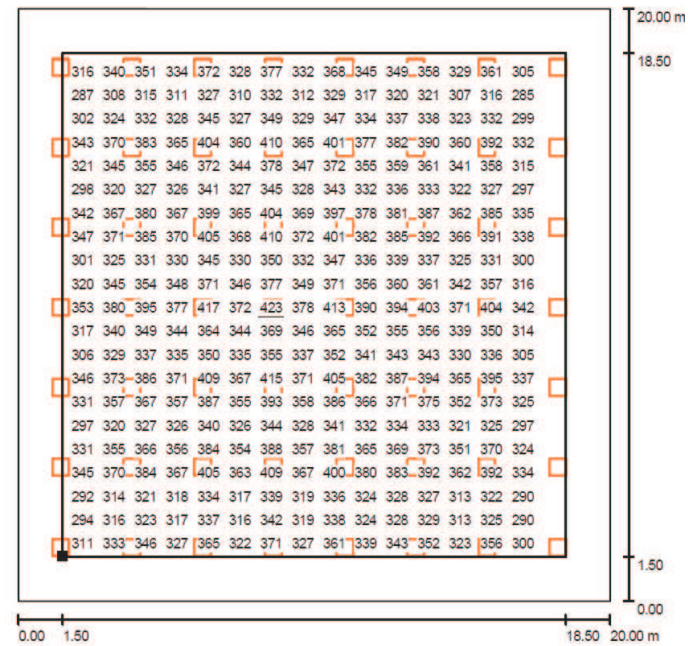
20% energy Saving compared to existing T5 Diffused Luminaires

Mystique RC795B 3xTL-514 W In 3 X 3 Grid



Eav: 398 lux
 Emin/Eav : 0.67
 64 Luminaires

Mystique RC795B 3xTL-514 W 3x4 Grid



Eav: 346 lux
 Emin/Eav: 0.64
 56 luminaires

PHILIPS

Comfortable Soothing light with good uniformity & Good lighting Levels



- **High Transitivity Diffuser with graphics** : great aesthetics and integration with ceiling
- **High reflectivity Low Glare White color back reflector** : Soothing light and excellent light Distribution

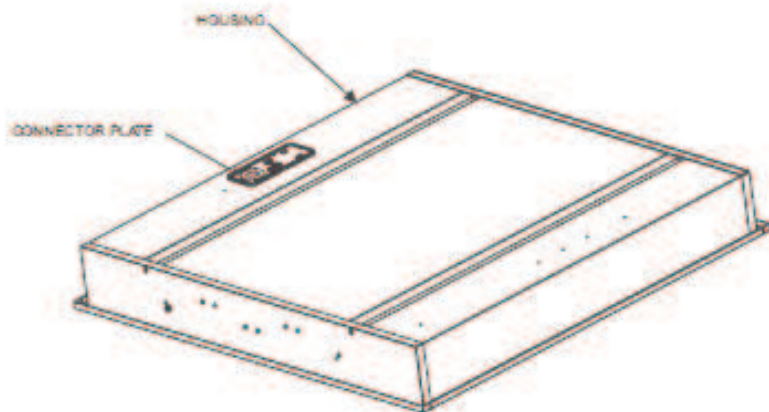
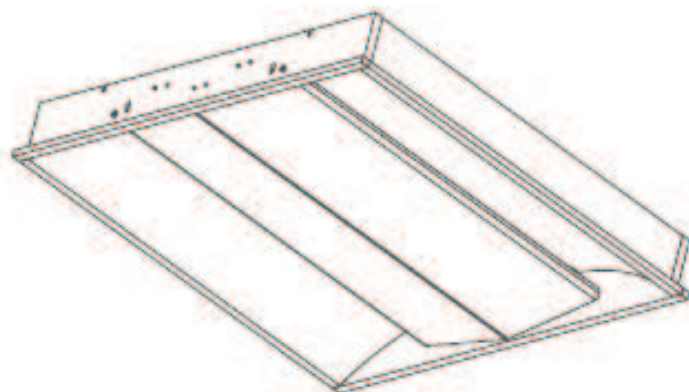
Installation Instructions

PHILIPS

RC 795B MISTIQE
Recessed



THIS LUMINAIRE MUST BE EARTHED



Important Maintenance Instructions !

As this luminaire is having a very unique white light concept, there are few instructions regarding the maintenance of this luminaire to assure the best white lighting qualities :

- ➔ Avoid any sharp or abrasive object hitting the white reflector.
- ➔ Must not use any abrasive material to clean the luminaire. Use only heat & clean soft rag for cleaning the Luminaire.



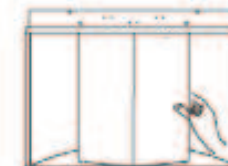
➔ Always wear heat & clean gloves during installation and maintenance of the Luminaire.



- ➔ If the White Reflector get dirty, the dirty spots can be removed easily as mentioned below:
1) Dust : Wipe off the dust with a clean & dry micro fibre soft cloth.
2) Dirty Spots, Finger prints, etc. : Wipe the Reflector Gently with a moist cloth using a mild common household cleaners with abrasive effect. Example- (ZEP, Calm, Simple Green etc.) or Dilute Ammonia, Dilute Bleach.

4413 10013046

- ➔ If Diffuser get dirty, It can be clean in the same way as above. Diffuser can be removed easily by pulling the Diffuser as shown in sketch.
- ➔ Switch Off before replacing.

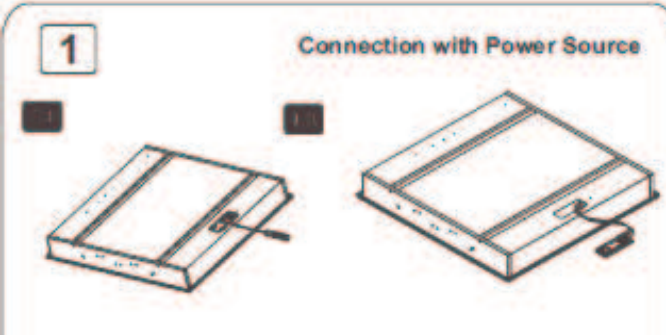


! ATTENTION: Install in accordance with national and local building and electrical codes.

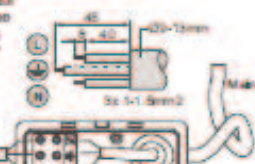
PHILIPS

PHILIPS

1 Connection with Power Source



Open the connector lid by pushing the Screw Driver in Slots "To Open"

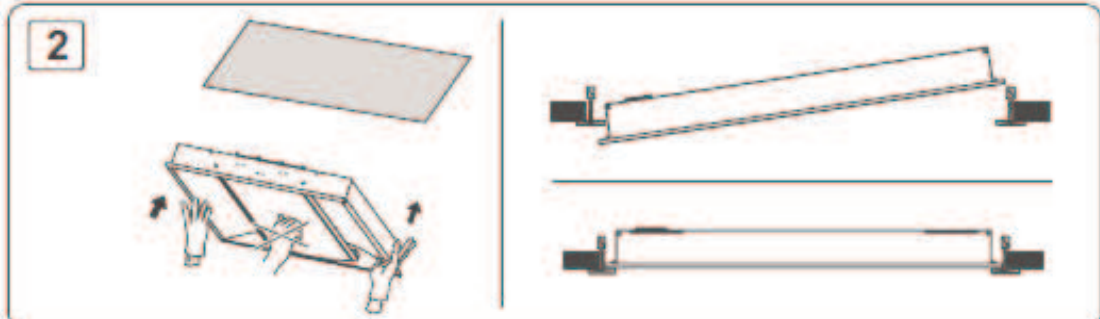


Be sure to close the Lid after the connection is done.

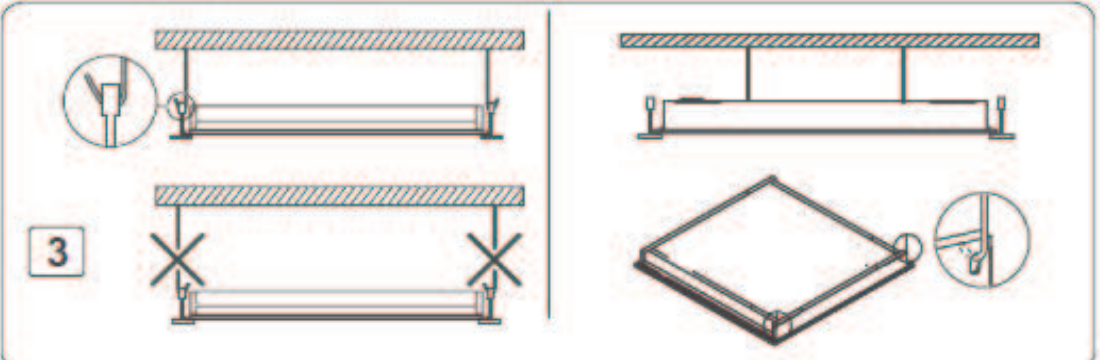
Connector Lid Wire Entry-Original

Pass the incoming wire through the grommet in the connector lid to connect all the three wires (Live Neutral & Earth) to the connector.

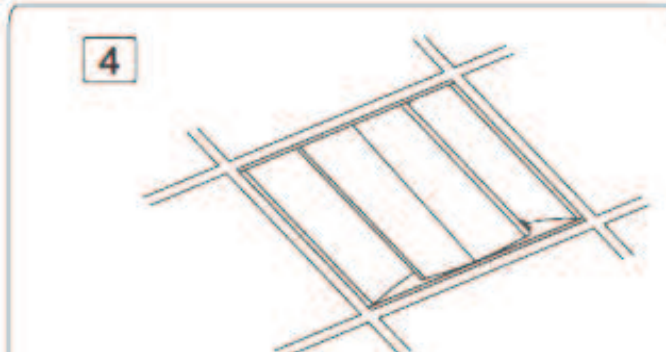
2



3

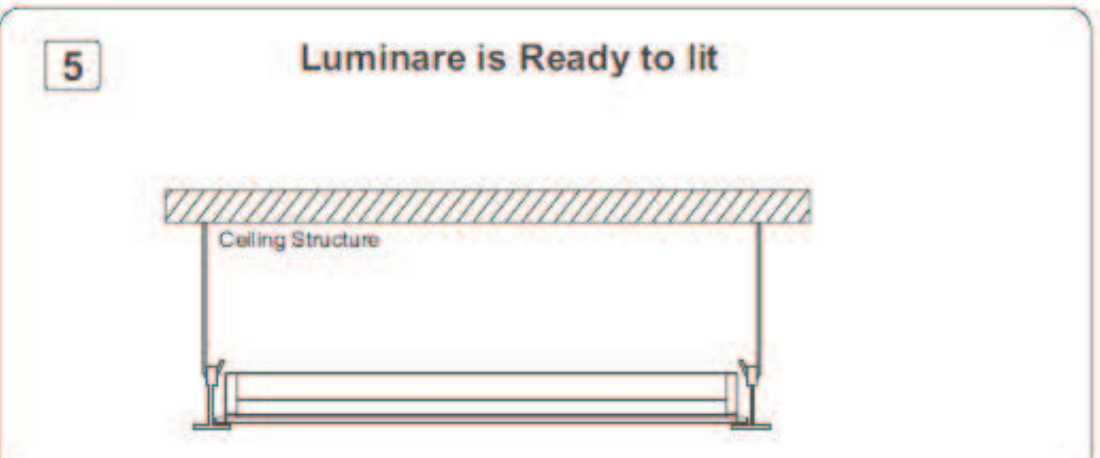


4



Luminaire mounted on the Ceiling

5 Luminaire is Ready to lit



PHILIPS

Ordering and Technical Data

Technical Details				
TYPE	For Lamps	Nominal Voltage	Mains current	Nominal Power Factor
RC795B 3xTL-514W EBP	3xTL-5 14W	240	0.28	0.99
RC795B 4xTL-514W EBP	4xTL-5 14W	240	0.28	0.99

Ordering Details					
TYPE	Ordering Data	qty/ Box	dimensions(mm)	nett Wt	Gross Wt
RC795B 3xTL-514W EBP	919015810444	2	670 x 670 x 260	2x4.7 kg	12.5
RC795B 4xTL-514W EBP	919015810580	2	671 x 670 x 260	2x4.7 kg	12.5

