

Battens



General Description

Functional and economical general purpose basic batten for 'TL'/TL'D fluorescent lamp. For surface mounting on the wall or ceiling.

Features

- The channel is made of CRCA sheet steel, powder coated grey with CRCA cover; powder coated white
- The luminaire uses copper ballast or high frequency electronic ballast
- Vitreous enamelled reflector can be used along with channel
- Designed for ceiling / surface mounted with special provision for cable entry from side

Applications

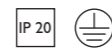
- Small offices
- Conference rooms
- Reception and public service areas (restaurants, cafeterias)
- Shops
- Textile mills

Installation

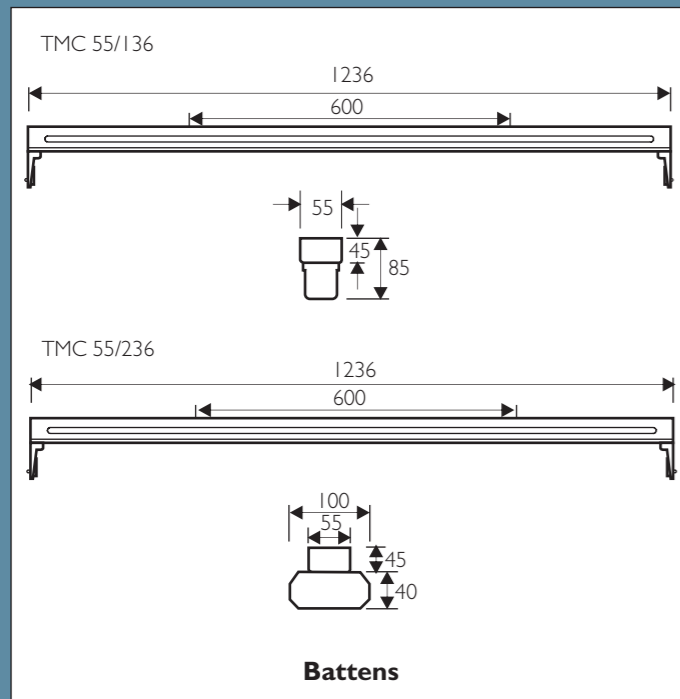
- Holes for (wood) screw, fixing and knockouts for suspension mounting by means of 19mm conduits.

Compliances

- IP 20
- Safety class I



Dimensions (mm)



Battens

TMC 55 Series

Battens

TMC 55 Series

Technical Data

Type	For Lamp	Nominal Voltage (V)	Mains Current (A)	Nominal Power Factor
TMC 55/136 HPF	1 x 'TL'D 36W / 'TL' 40W	240	0.23	0.90
TMC 55/136 HF	1 x 'TL'D 36W / 'TL' 40W	240	0.16	0.95
TMC 55/236 HPF	2 x 'TL'D 36W / 'TL' 40W	240	0.46	0.90
TMC 55/236 HF	2 x 'TL'D 36W / 'TL' 40W	240	0.30	0.95
TKC 24/236	2 x 'TL'D 36W / 'TL' 40W	240	0.46	0.90

Ordering Data

Type	Ordering No	Quantity per box	Dimensions (mm)	Net Weight (kg)	Gross Weight (kg)	Volume (m ³)
TMC 55/136 HPF	1300 52565	6	1272 x 190 x 110	2.50 x 6	15.00	0.027
TMC 55/136 HF	1300 22425	6	1272 x 190 x 110	2.50 x 6	15.00	0.027
TMC 55/236 HPF	1300 52595	6	1272 x 190 x 110	3.00 x 6	19.00	0.027
TMC 55/236 HF	1300 52505	6	1272 x 190 x 110	3.00 x 6	19.00	0.027
TKC 2423 reflector	1308 24245	6	1325 x 295 x 215	3.40 x 6	27.00	0.080

