

Battens



General Description

Functional and decorative general purpose basic battens for 'TL'/'TLD' fluorescent lamp. For surface mounting on the wall or ceiling.

Features

- The channel has a single piece construction made of powder coated white CRCA sheet steel, eliminating spot welds & hence rust free
- The aesthetically designed lampholder brackets are side-in-type for ease of installation / maintenance
- The luminaires uses an open construction ballast or high frequency electronic ballast
- Choice of powder-coated and vitreous enamelled reflectors

Applications

- Small offices
- Conference rooms
- Reception and public service areas
- Recreational areas (restaurants, cafeterias)
- Textile mills

Installation

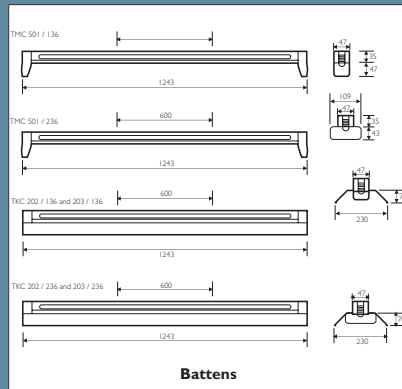
- Holes for (wood) screw, fixing and knockouts for suspension mounting by means of Ø 19mm conduits.

Compliances

- IP 20
- Safety class I



Dimensions (mm)



Battens

TMC 501 Series

Battens

TMC 501 Series

Technical Data

Type	For Lamp	Nominal Voltage (V)	Mains Current (A)	Nominal Power Factor
TMC 501/136 HPF	1 x 'TLD' 36W / 'TL' 40W	240	0.23	0.90
TMC 501/236 HPF	2 x 'TLD' 36W / 'TL' 40W	240	0.46	0.90
TMC 501/136 HF	1 x 'TLD' 36W / 'TL' 40W	240	0.16	0.95
TMC 501/236 HF	2 x 'TLD' 36W / 'TL' 40W	240	0.30	0.95
TKC 203/136 HPF	1 x 'TLD' 36W / 'TL' 40W	240	0.23	0.90
TKC 203/236 HPF	2 x 'TLD' 36W / 'TL' 40W	240	0.46	0.90
TKC 203 /136 HF	1 x 'TLD' 36W / 'TL' 40W	240	0.16	0.95
TKC 203 /236 HF	2 x 'TLD' 36W / 'TL' 40W	240	0.30	0.95

Ordering Data

Type	Ordering No	Quantity per box	Dimensions (mm)	Net Weight (kg)	Gross Weight (kg)	Volume (m ³)
TMC 501 /136 HPF	1300 51475	6	1305 x 171 x 101	1.50 x 6	9.70	0.023
TMC 501/236 HPF	1300 51465	6	1305 x 171 x 101	2.00 x 6	13.10	0.023
TMC 501 / 136 HF	1300 97585	6	1305 x 171 x 101	1.50 x 6	9.70	0.023
TMC 501 /236 HF	1300 04685	6	1305 x 171 x 101	2.00 x 6	13.10	0.023
TKA 2033 reflector	1308 24315	6	1270 x 260 x 140	2.20 x 6	15.80	0.050
TKA 2023 reflector	1308 24405	6	1270 x 260 x 140	2.50 x 6	16.80	0.050

* Data for LPF versions available on request

TKC 203 comprises of 1 No. reflector TKA and 1 No. batten TMC 501

