

Non-Integral Well Glass

Industrial
Application

NDC 203

Page 31



Product description

Well Glass luminaire suitable for use with incandescent (GLS 200W), blended ML-N 160W, high pressure Mercury Vapour HPLN 80W / HPLN 125W and high pressure Sodium Vapor SON 70 E / 70 I lamp. HPLN and SON lamps are operated on appropriate external control gear Box.

Features

- Light weight pressure die-cast aluminium housing painted black from outside and white inside to provide sturdiness and good optimal distribution.
- Heat resistant and toughened clear glass cover along with Ethylene Propylene rubber to provide protection against ingress of dust and water.
- Porcelain holder pre-wired up to the terminal block. Earthing terminal is also provided.
- Wire Gurad made of MS to protect the luminaire from damages.
- Pressure die-cast aluminium ring hinged to the housing to hold the glass cover in place.
- Combined with pressure die-cast gear box offers a long operational life.

Applications

- Industries
- Cable galleries in power plants
- Conveyors in cement and steel plants
- Boiler platforms in power stations

Mounting Type

Surface suspended

Installation

Mounting provision suitable for suspension by means of a diameter 20mm threaded GI pipe.

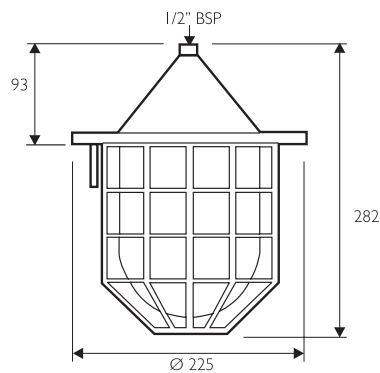
Technical data

Type	For lamp	Nominal voltage (V)	Main current (A)	Nominal power factor
NONINT INDLWELGLAS LUM NDC203	1 x GLS 200W (max)	230	0.80	1.00
NDC203 1xML-N 160W*	1 x ML-N 160W	240	0.72	0.97
NDC203 1XHPL-N80W*	1 x HPL-N 80W	240	0.45	≥ 0.85
NDC203 1XHPL-N125W*	1 x HPL-N 125W	240	0.70	≥ 0.85
NDC203 1XSON-E70W*	1 x SON 70W	240	0.45	≥ 0.85
NDC203 1XSON-I70W*	1 x SON 70W	240	0.45	≥ 0.85

Ordering data

Type	Ordering data	Quantity per box	Dimensions (mm)	Net weight (kg)	Gross weight (kg)	Volume (m3)
NONINT INDLWELGLAS LUM NDC203	919015928504	1	225 x 275 x 305	1.35 x 1	2.00	0.036

*To be used with appropriate control gear unit.



Technical Drawing



