

Optibay - HPK 205

**Industrial
Application**

Page 31



Product description

Non integral high performance High-Bay and Medium-Bay luminaire available in both closed and open versions suitable for use with high pressure Sodium Vapour lamps (150-400W), high pressure Mercury Vapour and Metal Halide lamps (250-400W) with a choice of reflectors to meet specific beam requirements. The luminaire is compact in size with universal mounting system. The luminaire consists of pressure die-cast aluminium housing, aluminium anodised reflector and a toughened glass cover. The gear providing IP 65 protection for the gear compartment and IP 54 for the lamp compartment. Option of prismatic reflector for indoor application is available.

Optibay in non-integral version is modern, functional design and robust, high quality material and optical performance make it an ideal solution for a wide range of applications. Optibay is designed for industrial usage but with its prismatic versions, it is suitable for large non-industrial spaces with high ceilings.

Features

- Compact high pressure die-cast aluminium housing powder coated in black.
- Aluminium reflector is electrochemically brightened and anodized for better optics and longer life, giving a very good distribution. Separate reflectors are available for narrow beam and wide beam reflector.
- For dusty environment, it is provided with heat resistant toughened glass with EPR gasket.

Applications

- Heavy engineering industries
- Power plants
- Automobile industries
- Steel plants
- Aircraft hangers
- Large areas with high ceilings

Mounting Type

Surface suspended

Installation

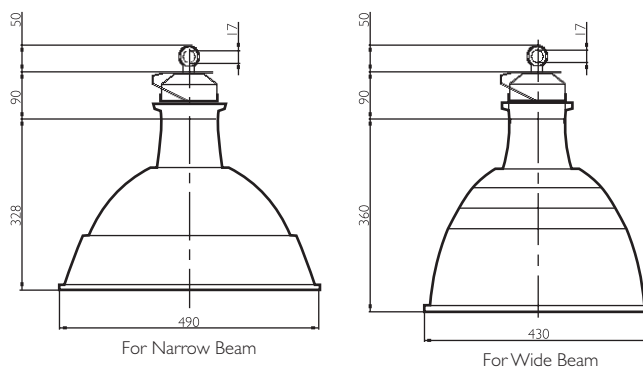
Mounting can be done by standard eyebolt with 15mm inside diameter.





Technical data

Type	For lamp	Nominal voltage (V)	Main current (A)	Nominal power factor
HPK205 1XHPL-N250W E*	1 x HPL-N 250W	240	1.35	≥ 0.85
HPK205 1XHPL-N400W E*	1 x HPL-N 400W	240	2.15	≥ 0.85
HPK205 1XSON150W E*	1 x SON 150W	240	0.85	≥ 0.85
HPK205 1XSON250W E*	1 x SON 250W	240	1.40	≥ 0.85
HPK205 1XSON400W E*	1 x SON 400W	240	2.25	≥ 0.85
HPK205 1XHPIP250W BU E*	1 x HPI-BU 250W	240	1.35	≥ 0.85
HPK205 1XHPIP400W BU E*	1 x HPI-BU 400W	240	2.15	≥ 0.85



Ordering data

Type	Ordering data	Quantity per box	Dimensions (mm)	Net weight (kg)	Gross weight (kg)	Volume (m3)
Non Integral Housing						
HPK205 1xMAX250W-E 40 E R	919015255253	6	548 x 350 x 255	0.748	6.50	0.0489
HPK205 1xMAX400W-E 40 E R	919015255254	6	548 x 350 x 255	0.743	6.42	0.0489
GPK225 R-NB	919015955201	6	570 x 500 x 410	0.73	6.00	0.116
GPK225 R-WB	919015955202	6	570 x 500 x 410	0.66	6.00	0.116
ZPK225 GC-NB	919015955205	6	513 x 502 x 247	2.47	20.00	0.063
ZPK225 GC-WB	919015955206	6	445 x 440 x 247	1.95	17.50	0.063

Accessories

Control Gear Boxes