

Endura PLUS - HPK 150

Industrial
Application

Page 31



Product description

Integral well glass luminaire suitable for use with high pressure Sodium Vapour SON70 (E or I) lamps or high pressure Mercury Vapour HPL N 80w / 125w lamps.

Features

- Pressure die-cast aluminium housing construction with epoxy polyester powder coat offers robustness and good weatherability.
- The integral gear compartment accommodates all the accessories like PF improvement Capacitor, Ignitor, Ballast pre-wired up to the terminal block.
- Heat resistant toughened glass cover with heavy duty 5mm Wire Gurad fixed to the housing by means of robust clamps.
- Adjustable mounting bracket for top as well as side mounting option.
- Profiled EPDM gasket with special hardness treatment so as to achieve and maintain higher ingress protection.

Applications

- Industries
- Cable galleries
- Boiler platforms
- Power stations

Mounting Type

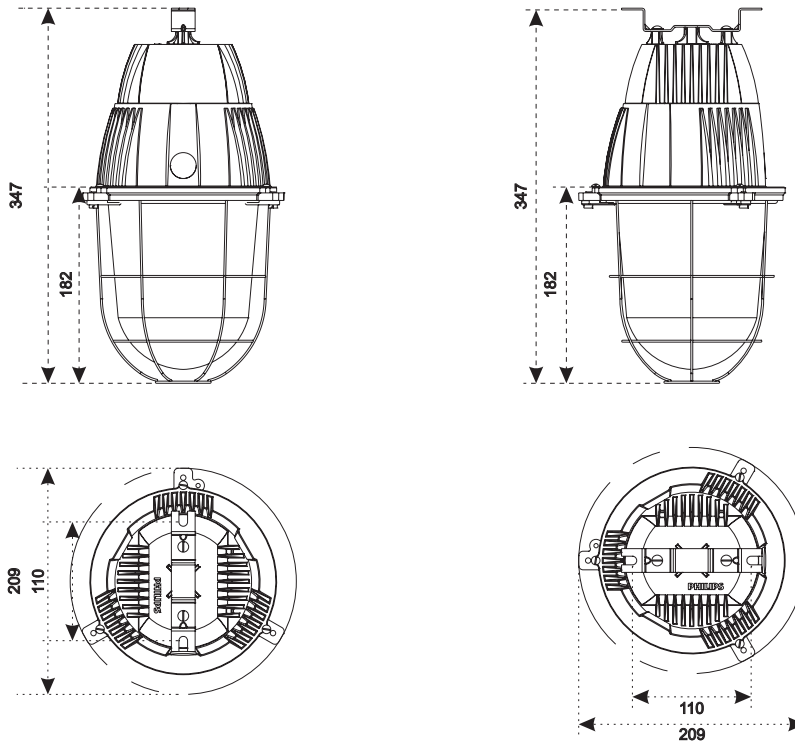
- Surface Mounted
- Wall Mounted

Installation

Direct mounting on ceiling or columns with the help of the mounting bracket.

Technical data

Type	For lamp	Nominal voltage (V)	Main current (A)	Nominal power factor
HPK150 1xSON-E 70W	1xSON-E 70W	240	0.45	0.85
HPK150 1xSON-I 70W	1xSON-I 70W	240	0.45	0.85
HPK150 1xHPL-N 80W	1xHPL-N 80W	240	0.45	0.85
HPK150 1xHPL-N 125W	1xHPL-N 125W	240	0.7	0.85



Technical Drawing



Ordering data

Type	Ordering data	Quantity per box	Dimensions (mm)	Net weight (kg)	Gross weight (kg)	Volume (m3)
HPK150 1xSON-E 70W	9191 158 10113	4	390x470X470	2.1	9.3	0.086
HPK150 1xSON-I 70W	9191 158 10114	4	390x470X470	2	9.2	0.086
HPK150 1xHPL-N 80W	9191 158 10115	4	390x470X470	2	9.2	0.086
HPK150 1xHPL-N 125W	9191 158 10116	4	390x470X470	2	9.2	0.086

