

# Endura - HPK 105

**Industrial  
Application**

Page 31



# Product description

Integral well glass luminaire suitable for use with high pressure Sodium Vapour SON70 (E or I) lamps or high pressure Mercury Vapour HPL N 80W / 125W lamps. CFL version suitable for PLC 18 Watt and PLC 26 Watt also available.

## Features

- Pressure die-cast aluminium housing construction with epoxy polyester powder coat offers robustness and good weatherability.
- The integral gear compartment accommodates all the accessories like PF improvement Capacitor, Ignitor, Ballast pre-wired up to the terminal block.
- Heat resistant toughened glass cover with heavy duty 5mm Wire Gurad fixed to the housing by means of robust clamps.
- Adjustable mounting bracket for top as well as side mounting option.
- Profiled EPDM gasket with special hardness treatment so as to achieve and maintain higher ingress protection.

## Applications

- Industries
- Cable galleries
- Boiler platforms
- Power stations

## Mounting Type

- Surface mounted
- Wall mounted

## Installation

Direct mounting on ceiling or columns with the help of the mounting bracket.

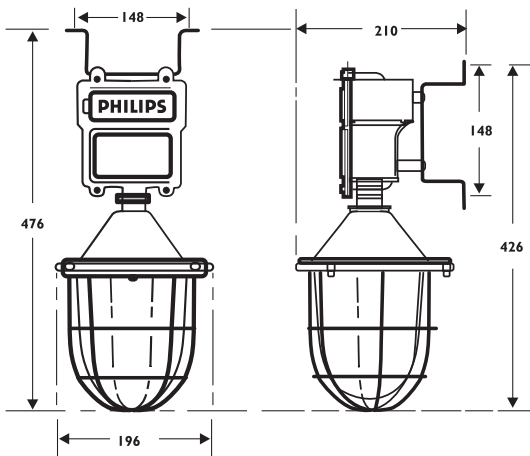
## Technical data

| Type               | For lamp       | Nominal voltage (V) | Main current (A) | Nominal power factor |
|--------------------|----------------|---------------------|------------------|----------------------|
| HPK105 1xSON70W    | 1 x SON-E 70W  | 240                 | 0.45             | ≥ 0.85               |
| HPK105 1xSON-I-70W | 1 x SON-I 70W  | 240                 | 0.45             | ≥ 0.85               |
| HPK105 1xHPL-N80W  | 1 x HPL-N 80W  | 240                 | 0.45             | ≥ 0.85               |
| HPK105 1xHPL-N125W | 1 x HPL-N 125W | 240                 | 0.70             | ≥ 0.85               |

## Ordering data

| Type               | Ordering data | Quantity per box | Dimensions (mm) | Net weight (kg) | Gross weight (kg) | Volume (m3) |
|--------------------|---------------|------------------|-----------------|-----------------|-------------------|-------------|
| HPK105 1xSON70W    | 919115373167  | 1                | 255 x 255 x 460 | 1.80            | 3.00              | 0.0299      |
| HPK105 1xSON-I-70W | 919115373168  | 1                | 255 x 255 x 460 | 1.80            | 3.00              | 0.0299      |
| HPK105 1xHPL-N80W  | 919115372387  | 1                | 255 x 255 x 460 | 1.80            | 3.00              | 0.0299      |
| HPK105 1xHPL-N125W | 919115372388  | 1                | 255 x 255 x 460 | 1.80            | 3.00              | 0.0299      |

Note : Ballast of suitable rating shall be packed separately (packing data on request).



Technical Drawing



