

MCN 810

Retail
Application

Page 21



Product description

Adjustable projectors with integrated control gear and aluminium reflector (36 focusable to 24), for master color CDM-T for direct mounting on a base plate.

Features

- Steel body with aluminium reflector.
- Lamp socket for CDM-T G12 type.
- Integrated gear (compensated).
- Orientation of 350° horizontal and 90° vertical possible.
- Available in white color.

Applications

- Discount stores, hyper / super markets, do-it-yourself shops
- Department store, shops and boutiques

Mounting Type

Downlights and Accents

Installation

- Mounting direct on ceilings, safety distance 0.8m.
- Direct lamp access for maintenance.
- Front glass to be removed for CDM-T.

Compliances

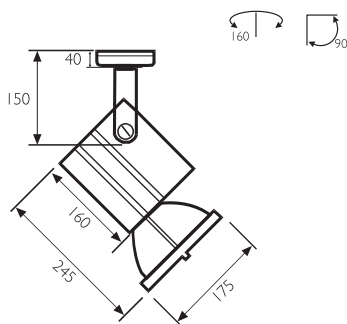
- IP 20
- Class I

Technical data

Type	For lamp	Nominal voltage (V)	Main current (A)	Nominal Power factor
MCN810 C IXCDM-T70W IC WH	MCN810 C IXCDM-T70W IC WH	240	0.45	0.9
MCN810 C IXCDM-T150W IC WH	MCN810 C IXCDM-T150W IC WH	240	0.85	0.9

Ordering data

Available on request.



Technical Drawing

