

# FBS 085

**Retail**  
Application

Page 21

**Office**  
Application

Page 07



# Product description

Recess mounted Downlight luminaire with centre frosted glass, suitable for use with 18W PL-C compact fluorescent lamp.

## Features

- Housing made up of CRCA sheet steel with powder coating.
- Electrochemically brightened reflector with gloss for distinct looks.
- Wide ring covers false ceiling cut out imperfections.
- Frosted glass for glare cut off.
- Dimming is possible with appropriate ballast.

## Applications

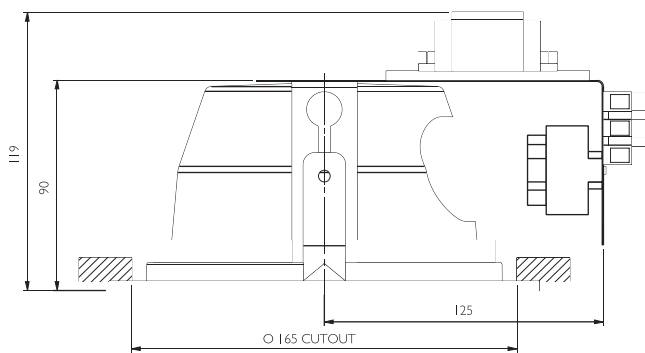
- Offices
- Small independent shops
- Corridors and walkways
- Reception and public service areas

## Installation

Designed for recess mounting on false ceiling with help of clamps.

**Technical data**

Type	For lamp	Nominal voltage (V)	Main current (A)	Nominal power factor
FBS085 2XPL-C/2P18W I 240V RG-FR	2XPL-C/2P18W	240	0.44	>.45
FBS085 2XPL-C/2P18W I SG-FR	2XPL-C/2P18W	240	0.44	>.45
FBS085 1XPL-C/2P18W I 240V RG FR	1XPL-C/2P18W	240	0.22	>.45
FBS085 1XPL-C/2P18W I SG-FR	1XPL-C/2P18W	240	0.22	>.45
FBS085 2XPL-C/4P18W HFB RG-FR	2XPL-C/4P18W	240	0.18	0.65
FBS085 1XPL-C/4P18W HFA RG-FR	1XPL-C/4P18W	240	0.13	0.65



Technical Drawing

### Ordering data

Type	Ordering data	Quantity per box	Dimensions (mm)	Net weight (kg)	Gross weight (kg)	Volume (m3)
FBS085 2XPL-C/2PI8W   240V RG-FR	919215000207	8	390X260X472	8.4	10.2	0.047
FBS085 2XPL-C/2PI8W   SG-FR	919215000208	8	390X260X472	8.4	10.2	0.047
FBS085 1XPL-C/2PI8W   240V RG FR	919215000209	8	390X260X472	6.4	8.2	0.047
FBS085 1XPL-C/2PI8W   SG-FR	919215000210	8	390X260X472	6.4	8.2	0.047
FBS085 2XPL-C/4PI8W HFB RG-FR	919215000213	8	390X260X472	8	9.4	0.047
FBS085 1XPL-C/4PI8W HFA RG-FR	919215000214	8	390X260X472	6	7.6	0.047

