

Flood Light - QVF 135

Outdoor
Application

Page 43



Product description

General purpose Flood Light suitable for use with 500 W Linear Tungsten Halogen lamp or high pressure Metal Halide MHN-TD 70W lamp with appropriate ZVX 270 control gear box.

Features

- Compact, light weight and corrosion resistant pressure die-cast housing.
- Heat-resistant and toughened glass cover in aluminium retaining frame which can be hinged with the housing for lamp replacement.
- High-purity textured aluminium reflector electrochemically brightened and anodized.
- Terminal block of heat resistant nylon-6 grade.
- Mounting bracket of MS powder coated black.
- Quick and easy lamp replacement through front window.
- Rear access for mains connection through terminal box.

Applications

- Industrial areas
- Architecture
- Security
- Billboards and parks
- Construction sites
- Shopping areas

Installation

Universal mounting bracket allows wall or surface mounting.

Compliances

- IP 54
- Class I

Outdoor | Flood Light - QVF 135

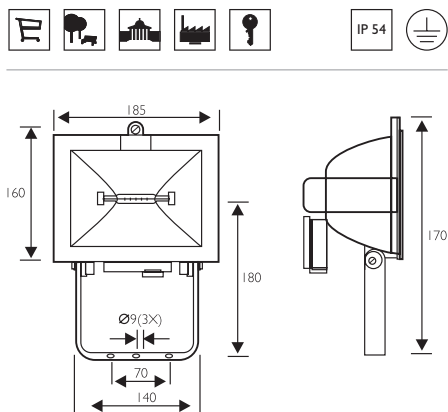
Technical data

Type	For lamp	Nominal voltage (V)	Main current (A)	Nominal power factor
QVF135 1xHAL-TDS500W	1 x 500W Tungsten Halogen	240	2.08	1.00
QVF135 1xMHN-TD70W	1 x MHN-TD 70W	240	0.45	> 0.85

Ordering data

Type	Ordering data	Quantity per box	Dimensions (mm)	Net weight (kg)	Gross weight (kg)	Volume (m3)
QVF135 1xHAL-TDS500W*	919115267162	12	400 x 470 x 360	0.91 x 12	13.80	0.068

* Separate control gear is to be used for 70W MHN-TD.



Technical Drawing

