

Halolite NG - QVF 135 GR

**Outdoor
Application**

Page 43



Product description

General purpose flood light suitable for use with 500 W linear Tungsten Halogen lamp or high pressure Metal Halide MHN-TD 70W lamp with appropriate ZVX 270 control gear box.

Features

- Compact and trendy design.
- Rugged, pressure die-cast aluminium housing and frame with corrosion resistant powder coating.
- Anodized aluminium patterned reflectors for widespread light distribution.
- 'V' shaped silicon rubber gasket for dust and water resistance with Ingress protection of IP 54.
- Easy rear access with class II connection box.
- Hinged toughened glass cover for safe and easy access to lamp.
- Sturdy MS powder coated mounting bracket for reliable mounting and aiming purpose.

Applications

- Industrial areas
- Architecture
- Security
- Billboards and parks
- Construction sites
- Shopping areas

Installation

Universal mounting bracket allows wall or surface mounting.

Compliances

- IP 54
- Class I

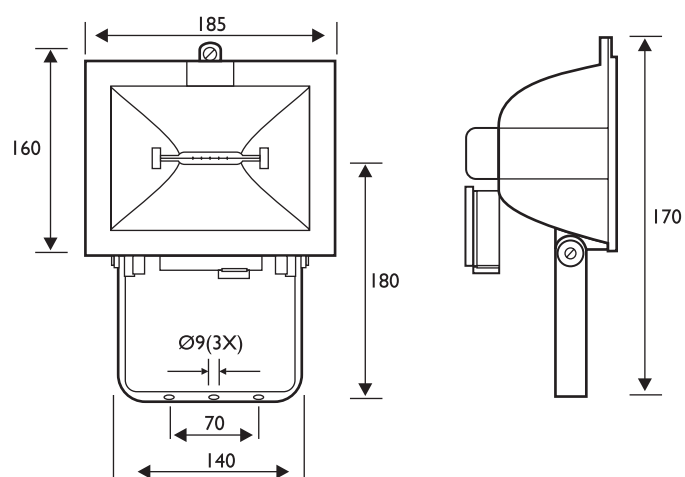
Technical data

Type	For lamp	Nominal voltage (V)	Main current (A)	Nominal Power factor
QVFI35 HAL-TDS500W K 240V GR	1 x 500W Tungsten Halogen	240	2.08	1.00

Ordering data

Type	Ordering data	Quantity per box	Dimensions (mm)	Net weight (kg)	Gross weight (kg)	Volume (m3)
QVFI35 HAL-TDS500W K 240V GR IN	911401065680	12	580 x 400 x 310	12.00	13.30	0.07192

* Luminaire supplied with lamp.



Technical Drawing

