

# Flood Light - NVC 502 / MVC 502

**Outdoor  
Application**

Page 43



# Product description

General purpose Flood Light suitable for use with 1 x 1000W Linear Tungsten Halogen lamp and double ended high pressure Metal Halide MHN-TD 150W lamp with appropriate ZVX 320 CG box.

## Features

- Compact, light weight and corrosion resistant housing.
- Heat-resistant and toughened glass cover in cast aluminium retaining frame which can be hinged with the housing for lamp replacement.
- Glass retaining frame of cast aluminium (LM6), powder coated in an attractive black color.
- High-purity textured aluminium reflector electrochemically brightened and anodized.
- Heat resistant and toughened glass.
- Heat resistant silicon rubber gasket.
- Terminal block of heat resistant nylon-6 grade.
- Mounting bracket of MS powder coated.
- High grade reflectors provide an efficient wide light distribution.
- Quick and easy lamp replacement through front window.
- Rear access for mains connection.

## Applications

- Industrial areas
- Architecture
- Security
- Billboards and parks
- Construction sites
- Shopping areas

## Installation

Universal mounting bracket allows wall or surface mounting.

## Compliances

- IP 54
- Class I

## Outdoor | Flood Light - NVC 502 / MVC 502

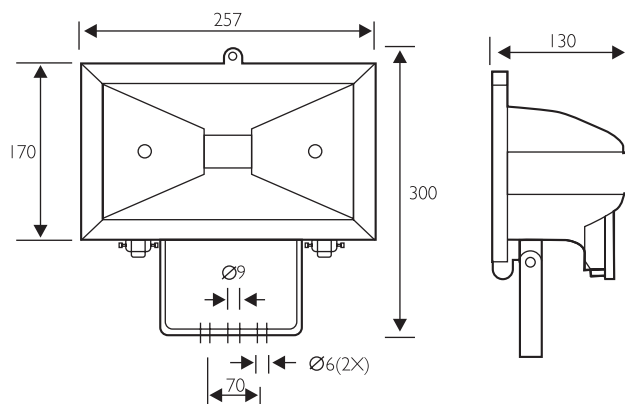
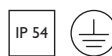
## Technical data

Type	For lamp	Nominal voltage (V)	Main current (A)	Nominal power factor
NVC502 1xHAL-TDL1000W	1 x 1000W Tungsten Halogen	230	4.00	1.00
MVC502 1xMHN-TD150W	1 x MHN-TD 150W	240	0.85	> 0.85

## Ordering data

Type	Ordering data	Quantity per box	Dimensions (mm)	Net weight (kg)	Gross weight (kg)	Volume (m3)
NVC502 1xHAL-TDL1000W	919115264546	1	270 x 230 x 180	2.00 x 1	2.20	0.011
MVC502 1xMHN-TD150W*	919115264547	1	270 x 230 x 180	2.00 x 1	2.20	0.011

\* Separate control gear is to be used.



Technical Drawing

