

Floodlighting Luminaire



HNF 12

Floodlighting luminaire is suitable for use with any of the following lamps :
1 x HPL-N 1000W, 1 x SON-T 1000W, 1 x HPI-T 2000W

Description

The luminaire has a cast aluminium housing for good corrosion resistance. The optical system is provided by a spun aluminium reflector which is anodised and polished inside. A glass cover ensures satisfactory insect-free performance without the ingress of water.

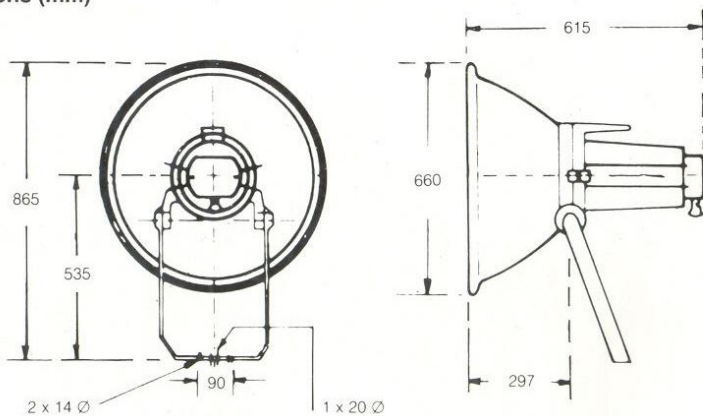
Applications

The luminaire can be used for floodlighting in stadia, large open areas, container berth areas, marshalling yards, airport aprons, etc.

Special Features

IP Classification : 54

Dimensions (mm)



Floodlighting Luminaire

Electrical Data

Type	For Lamps	Nominal Voltage (V)	Ballast & Capacitor	Mains Current (A)	Nominal Power Factor
HNF 12*	1 x HPL-N 1000W	220/240	C8214 L/.. + 66 mfd.	5.3	0.9
HNF 12*	1 x SON-T 1000W	220	C8214 L/.. + 66 mfd.	5.3	0.9
	1 x HPI-T 2000W	220	C8691 H/.. + 132 mfd.	10.5	0.9

Packing and Ordering Data

Type*	Ordering No.	Quantity per box	Dimensions (mm) of box	Nett Weight (kg)	Gross Weight (kg)	Volume (m ³)
HNF 12 Housing	1311 66135	1	335 x 335 x 330	2.5	3.5	0.037
HNF 12 Reflector	1311 66125	1	720 x 715 x 370	8.0	18.0	0.19

*Luminaires are to be operated with suitable Control Gear like ballast, ignitor and PF improvement capacitors.