

City Beautification



General Description

Post-top lanterns suitable for use with High Pressure Sodium Vapour SON 70W (I or E), High Pressure Mercury Vapour HPL-N 80W/125W, Blended ML-N 160W lamp.

Features

- Self contained, integral housing (with ballast, capacitor, ignitor etc.) ensures ease of maintenance
- Four different shaped bowls of vandal-proof high density UV stabilized polyethylene
- Conforms to IP 43 protection
- Conforms to relevant IS specifications

Applications

- Parks
- Residential areas

Installation

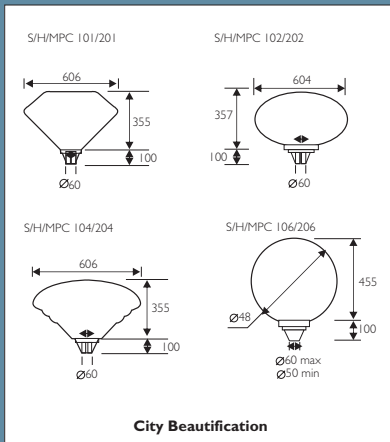
- Suitable for max 60 mm pole diameter.

Compliances

- IP 43
- Class I



Dimensions (mm)



S/H/MPC SERIES

City Beautification

S/H/MPC SERIES

Technical Data

Type	For Lamp	Nominal Voltage (V)	Mains Current (A)	Nominal Power Factor
SPC 101/70 (E) HPF	1 x SON 70 W (E)	220/240	0.45	≥ 0.85
SPC 101/70 (I) HPF	1 x SON 70W (I)	220/240	0.45	≥ 0.85
HPC 101/125	1 x HPL-N 125W	200/220/240	0.70	≥ 0.85
SPC 102/70 (E) HPF	1 x SON 70 W (E)	220/240	0.45	≥ 0.85
SPC 102/70 (I) HPF	1 x SON 70 W (I)	220/240	0.45	≥ 0.85
HPC 102/125	1 x HPL-N 125 W	200/220/240	0.70	≥ 0.85
SPC 104/70 (E) HPF	1 x SON 70 W (E)	220/240	0.45	≥ 0.85
SPC 104/70 (I) HPF	1 x SON 70 W (I)	220/240	0.45	≥ 0.85
HPC 104/125	1 x HPL-N 125 W	200/220/240	0.70	≥ 0.85
SPC 106/70 (E) HPF	1 x SON 70 W (E)	220/240	0.45	≥ 0.85
SPC 106/70 (I) HPF	1 x SON 70 W (I)	220/240	0.45	≥ 0.85
HPC 106/125	1 x HPL-N 125 W	200/220/240	0.70	≥ 0.85

Ordering Data

Type	Ordering No	Quantity per box	Dimensions (mm)	Net Weight (kg)	Gross Weight (kg)	Volume (m ³)
SPC 70W (E) housing	1310 14355	4	435 x 435 x 335	1.285 x 4	6.67	0.065
SPC 70W (I) housing	1310 14345	4	435 x 435 x 335	1.285 x 4	6.67	0.065
HPC 80W housing	1310 14335	4	435 x 435 x 335	1.285 x 4	6.67	0.065
HPC 125W housing	1310 14325	4	435 x 435 x 335	1.285 x 4	6.67	0.065
MPC 160W housing	1310 14925	4	435 x 435 x 335	1.285 x 4	6.67	0.065
Conical cover	1310 14545	1	610 x 610 x 375	1.50 x 1	2.30	0.140
Elliptical cover	1310 14535	1	610 x 610 x 375	1.50 x 1	2.30	0.140
Ribbed conical cover	1310 14495	1	610 x 610 x 375	1.50 x 1	2.30	0.140
Spherical cover	1310 14575	1	495 x 495 x 470	1.50 x 1	2.30	0.115

Note : Ballast of suitable rating shall be packed separately (packing data on request)

