

Underwater Luminaire - NHG 010

**Outdoor
Application**

Page 43



Product description

Underwater luminaire suitable for use with 230V reflector lamp in R30 shell (75W, 100W and 150W in BC execution). When submerged the water head above the glass should not exceed 0.61 meter (2ft). The luminaire is not provided with many mounting arrangements. A provision for loop-in and loop-out has been kept but one gland must be suitably blocked if looping out is not done.

Features

- Compact and corrosion resistant housing made from brass and in natural finish.
- A gasket made of silicon rubber between the housing and the glass cover ensuring protection against ingress of water when submerged.
- A glass fixing ring made of brass in natural finish.
- A front cover made of heat resistant toughened clear glass.
- Conforms to IP 67 protection.

Applications

- Swimming pools
- Water cascades

Compliances

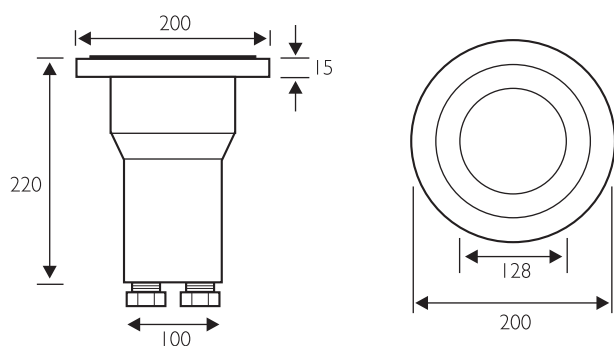
- IP 67
- Class I

Technical data

Type	For lamp	Nominal voltage (V)	Main current (A)	Nominal power factor
NHG010 1xNR95-150W-FR	1 x 150W Reflector	230	0.65	1.00

Ordering data

Type	Ordering data	Quantity per box	Dimensions (mm)	Net weight (kg)	Gross weight (kg)	Volume (m3)
NHG010 1xNR95-150W-FR	919115374351	4	520 x 520 x 320	1.80 x 4	8.20	0.087



Technical Drawing

