



H/SRX 51



General Description

Road lighting luminaire suitable for use with High Pressure Sodium Vapour SON/SON-T 150W/250W, High Pressure Mercury Vapour HPL-N 250W & High Pressure Metal Halide HPI-T 250W lamps.

Features

- All electrical accessories such as energy efficient copper ballast, electronic ignitor, power factor improvement capacitor etc., are pre-wired to a terminal block
- Flexible optics to achieve optimum light distribution for most of the roads / installation parameters
- Heat resistant and toughened glass cover for minimising discomfort glare to vehicular traffic
- Lamp compartment consists of high purity aluminium pot reflector, electrochemically brightened & anodised inside, powder coated in an attractive grey colour outside
- High quality long lasting felt gasket impregnated with insecticide and water repellent chemical on the periphery of the lamp compartment.
- Die cast aluminium (LM6) gear compartment; powder coated outside
- Stainless steel toggles for fixing glass cover to lamp compartment
- Hinging arrangement for glass cover for ease of maintenance
- Option for side as well as pole top mounting
- Conformance to IP 54 protection for lamp compartment and IP 33 for gear compartment
- Conformance to relevant IS specifications

Applications

- Major city roads
- Roundabouts
- Industrial areas
- Car parks

Installation

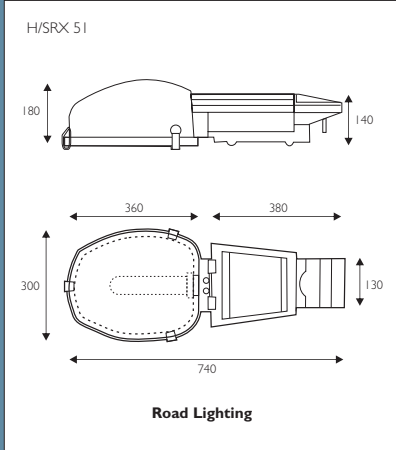
- Pole entry through U clamps suitable for pole diameter of maximum Ø60mm.

IP 54 Lamp Compartment

IP 33 Gear Compartment



Dimensions (mm)



Road Lighting

Technical Data

Type	For Lamp	Nominal Voltage (V)	Mains Current (A)	Nominal Power Factor
SRX 51	1 x SON/SON-T 150W	240	0.85	≥ 0.85
SRX 51	1 x SON/SON-T 250W	240	1.40	≥ 0.85
HRX 51	1 x HPL-N 250W	240	1.35	≥ 0.85

Ordering Data

Type	Ordering No	Quantity per box	Dimensions (mm)	Net Weight (kg)	Gross Weight (kg)	Volume (m ³)
SRX 51/150W housing with cover	1310 12845	1	810 x 372 x 250	4.75 x 1	6.52	0.077
SRX 51/1250W housing with cover	1310 12745	1	810 x 372 x 250	4.75 x 1	6.52	0.077
HRX 51/250 W housing with cover	1310 46505	1	810 x 372 x 250	4.75 x 1	6.52	0.077

Note : Ballast of suitable rating shall be packed separately (packing data on request)

