



H/SRP 308



General Description

Road lighting luminaire suitable for use with High Pressure Sodium Vapour SON 70W (I or E) & High Pressure Mercury Vapour HPL -N 80W/125W lamp.

SRP 308 for Son 70W (I or E)
HRP 308 for HPL-N 80W / 125 W

Features

- Electrical accessories such as energy efficient copper ballast, electronic ignitor (for SON/E lamps), power factor improvement capacitor etc., are pre-wired upto a terminal block
- Pressure die-cast aluminium gear plate for mounting all accessories.
- Accessibility to gear compartment from top for ease of maintenance & installation
- High purity aluminium lamp compartment, electrochemically brightened and anodised inside, epoxy powder coated outside in an attractive grey colour
- High quality long lasting felt gasket impregnated with insecticide & water repellent chemical on the periphery of the lamp compartment
- Stainless steel toggles for fixing UV stabilised acrylic bowl or heat resistant toughened glass cover to housing
- EPR gasket between lamp and specially designed gear compartment (ensuring IP 33 protection to the gear compartment)
- Hinging arrangement for both gear & lamp compartment cover for ease of maintenance
- Option for acrylic bowl or heat resistant toughened glass cover
- Conformance to IP 54 protection for lamp compartment
- Conformance to Relevant IS specifications

Applications

- Secondary roads
- Industrial areas
- Residential colony roads

Installation

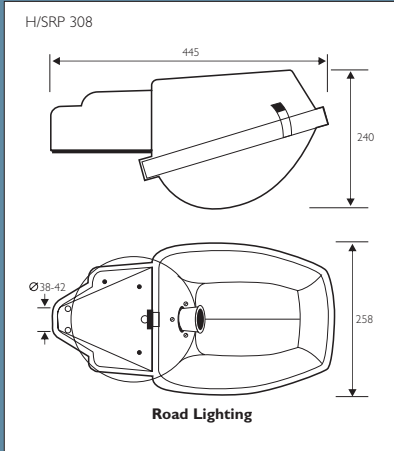
- Pole entry through U clamps suitable for pole diameter of maximum Ø40mm.

IP 54 Lamp Compartment

IP 33 Gear Compartment



Dimensions (mm)



Road Lighting

Technical Data

Type	For Lamp	Nominal Voltage (V)	Mains Current	Nominal (A)Power Factor
SRP 308	1 x SON 70W (E)	220/240	0.45	≥ 0.85
SRP 308	1 x SON 70 W (I)	220/240	0.45	≥ 0.85
HRP 308	1 x HPL -N 80 W	200/220/240	0.45	≥ 0.85
HRP 308	1 x HPL -N 125W	200/220/240	0.70	≥ 0.85

Ordering Data

Type	Ordering No	Quantity per box	Dimensions (mm)	Net Weight (kg)	Gross Weight (kg)	Volume (m ³)
SRP 308/70W (I) with glass cover	1310 11805	1	550 x 385 x 270	4.40 x 1	5.00	0.057
SRP 308/70W (E) with glass cover	1310 11825	1	550 x 385 x 270	4.40 x 1	5.00	0.057
SRP 308/70W (I) with acrylic cover	1310 11815	1	550 x 385 x 270	4.00 x 1	4.60	0.057
SRP 308/70W (E) with acrylic cover	1310 11835	1	550 x 385 x 270	4.00 x 1	4.60	0.057
HRP 308/80W with glass cover	1310 11845	1	550 x 385 x 270	4.40 x 1	5.00	0.057
HRP 308/80W with acrylic cover	1310 11855	1	550 x 385 x 270	4.00 x 1	4.60	0.057
HRP 308/125W with glass cover	1310 11865	1	550 x 385 x 270	4.40 x 1	5.00	0.057
HRP 308/125W with acrylic cover	1310 11875	1	550 x 385 x 270	4.00 x 1	4.60	0.057

