

Street Light - SRP 021

**Outdoor
Application**

Page 43



Product description

Road lighting luminaire suitable for use with high pressure Sodium Vapour SON 400W.

Features

- Single piece die-cast aluminium (LM6) housing powder coated in attractive gray color outside.
- All electrical accessories such as energy efficient copper ballast, electronic ignitor, power factor improvement capacitor etc. are pre-wired up to a terminal block and mounted on an easily detachable gear plate.
- High quality electrochemically anodised and brightened faceted aluminium reflector for optimum light distribution with SON 400W.
- High quality long lasting felt gasket impregnated with insecticide and water repellent chemical on the periphery of the housing.
- Stainless steel side lock arrangement for retention of acrylic bowl with the housing.
- Powder coated metallic gear compartment cover.
- Hinging arrangement for acrylic bowl for ease of maintenance.
- Conformance to IP 54 protection for lamp compartment and IP 33 protection for gear compartment.
- Conformance to relevant IS specifications.

Applications

- Major city roads
- Roundabouts
- Highways
- Industrial areas
- Car parks

Installation

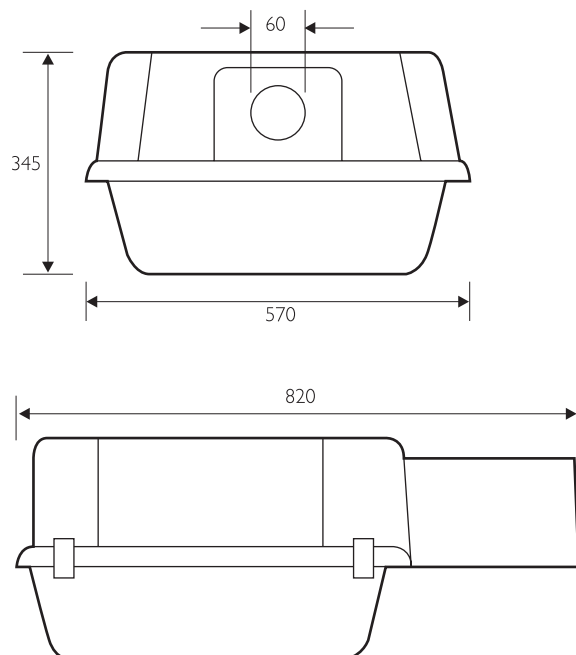
Pole entry through U clamps suitable for pole diameter of maximum Ø60mm.

Compliances

- IP 54
- Class I

Technical data

Type	For lamp	Nominal voltage (V)	Main current (A)	Nominal power factor
SRP021 1xSON400W	1 x SON 400W	240	2.25	>0.85



Technical Drawing

Ordering data

Type	Ordering data	Quantity per box	Dimensions (mm)	Net weight (kg)	Gross weight (kg)	Volume (m3)
------	---------------	------------------	-----------------	-----------------	-------------------	-------------

Housing

SRP021 1xSON400W	919115136252	1	835 x 600 x 205	7.20 x 1	7.80	0.103
------------------	--------------	---	-----------------	----------	------	-------

Cover

ZRP021 AC	919115913504	10	630 x 530 x 345	0.90 x 10	9.50	0.115
-----------	--------------	----	-----------------	-----------	------	-------

Note: Ballast of suitable rating shall be packed separately (packing data on request).

