

# Celeste - SGP 301

**Outdoor**  
Application

Page 43



# Product description

Compact and sturdy low wattage street lighting luminaire suitable for use with tubular high pressure Sodium Vapour lamps SON-T 70W (E / I). The luminaire can also be used with CDM-TT 70W ceramic discharge Metal Halide lamps and Cosmo Polis CPO-T 60W lamp.

## Features

- High pressure die-cast aluminium housing accommodating lamp as well as gear compartment.
- All accessories such as ballast, ignitor, power factor improvement capacitor are pre-wired up to the terminal block and mounted on a high pressure die-cast aluminium frame.
- Top opening gear compartment for ease of maintenance with hinging mechanism and single clip fastening.
- IP 65 ingress protection with Polycarbonate as well as flat glass cover. In case of Polycarbonate cover the edges of the cover should be enclosed inside the luminaire to ensure the required IP.
- Lateral as well as pole top mounting with built-in tilt of 5 degrees.
- Specially designed optics for tubular high pressure Sodium Vapour lamp.
- Suitable for ceramic discharge tubular Metal Halide lamp.
- Luminaire should be recommended with tubular lamp to achieve the best photometric results.
- Compact and aesthetically appealing looks.

## Applications

- Secondary roads
- Malls, shopping and pedestrian areas
- Parks and gardens
- Parking lots and other open areas
- Industrial areas

## Installation

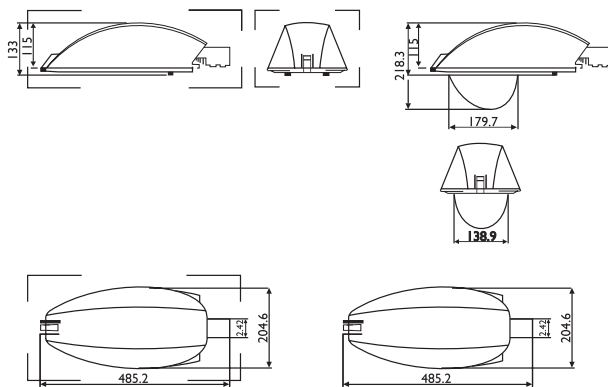
Luminaire is opened by 1 toggle on frame and fixed to the pole by tightening 2 screws.

## Compliances

- IP 65
- Class I

Technical data

Type	For lamp	Nominal voltage (V)	Main current (A)	Nominal power factor
SGP301	SON-T 70W (E)	240	0.45A	0.85
SGP301	SON-T 70W (I)	240	0.45A	0.85
SGP301	CDM-TT 70W	240	0.45A	0.85
SGP301	CPO-TW 60W	220-240	0.30A	0.98



Technical Drawing

## Ordering data

Type	Ordering data	Quantity per box	Dimensions (mm)	Net weight (kg)	Gross weight (kg)	Volume (m3)
SGP301 1xSON70W FG	919115121166	4	560 x 490 x 292	2.20	10.30	0.08
SGP301 1xSON-I-70W FG	919115121169	4	560 x 490 x 292	2.20	10.30	0.08
SGP301 1xCDM-TT70W FG	919115810080	4	560 x 490 x 292	2.20	10.30	0.08
SGP301 1xSON70W PC	919115121167	4	560 x 490 x 292	2.20	10.30	0.08
SGP301 1xSON-I-70W PC	919115121168	4	560 x 490 x 292	2.20	10.30	0.08
SGP301 1xCDM-TT70W PC	919115810081	4	560 x 490 x 292	2.20	10.30	0.08
SGP301 1xCPO-TW60W FG*	919115810006	4	560 x 490 x 292	2.20	10.30	0.08

Note: Ballast of suitable rating shall be packed separately (packing data on request).

\*The luminaire is supplied with electronic ballast.

