

**Outdoor**  
Application

Page 43



## Product description

Compact, sturdy general-purpose floodlight with integral gear, suitable for use with high pressure tubular Sodium Vapour SON-T 250W / 400W, high pressure Metal Halide HPI-T 250W / 400W lamp. All-weather construction designed for simple cleaning and speedy servicing.

### Features

- Housing made of non corrosive, high pressure die-cast aluminium with low copper content and black powder coated finish.
- Ingress protection of IP 65.
- All electrical accessories such as ballast, ignitor and power factor improvement capacitor are prewired up to terminal block.
- High grade symmetrical and asymmetrical peened anodized aluminium reflector to suite various applications.
- Wall, ceiling and surface mounting with various adjustments suitable for up / down lighting.
- Quick and easy access to lamp and gear through hinged front window with quick release stainless steel clips.
- Heat resistant EPR gasket offers sustained IP rating of IP 65.

### Applications

- Bill boards
- Car parks
- Architectural lighting
- Sports lighting
- Industrial areas
- Security lighting

### Installation

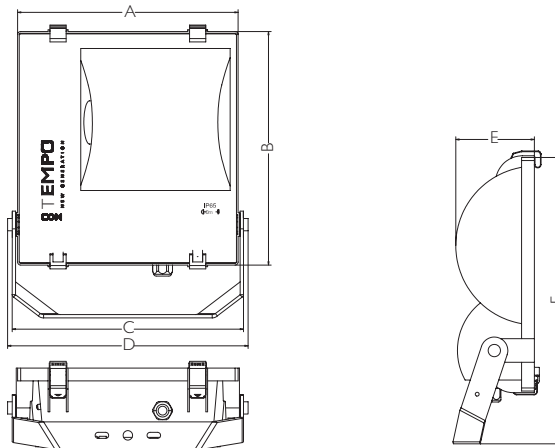
- Aperture bracket for firmer and versatile mounting.
- Quick release hinge clips for easy lamp replacement.
- Cable entry via cable gland. (cable with outer dia 8-10 mm.)

## Outdoor | ConTempo 3 - MWF 331 / SWF 331

## Technical data

Type	For lamp	Nominal voltage (V)	Main current (A)	Nominal power factor
SWF331 1XSON-T250W S	1 X SON-T 250W	240	1.4	≥0.85
MWF331 1XHPI-TP250W S	1 X HPI-T 250W	240	1.38	≥0.85
SWF331 1XSON-T250W A	1 X SON-T 250W	240	1.4	≥0.85
MWF331 1XHPI-TP250W A	1 X HPI-T 250W	240	1.38	≥0.85
SWF331 1XSON-T400W S	1 X SON-T 400W	240	2.25	≥0.85
MWF331 1XHPI-TP400W S	1 X HPI-T 400W	240	2.2	≥0.85
SWF331 1XSON-T400W A	1 X SON-T 400W	240	2.25	≥0.85
MWF331 1XHPI-TP400W A	1 X HPI-T 400W	240	2.2	≥0.85

## Dimensions (mm)



Type	A	B	C	D	E	F
SWF/MWF 231	327	346	343	363	117	424
SWF/MWF 331	425	430	440	460	137	476

## Technical Drawing



## Ordering data

Type	Ordering data	Quantity per box	Dimensions (mm)	Net weight (kg)	Gross weight (kg)	Volume (m3)
SWF331   XSON-T250W S	9191 158 10043	1	503 × 503 × 195	6.2	7.6	0.0493
MWF331   XHPI-TP250W S	9191 158 10044	1	503 × 503 × 195	6.2	7.6	0.0493
SWF331   XSON-T250W A	9191 158 10045	1	503 × 503 × 195	6.2	7.6	0.0493
MWF331   XHPI-TP250W A	9191 158 10046	1	503 × 503 × 195	6.2	7.6	0.0493
SWF331   XSON-T400W S	9191 158 10047	1	503 × 503 × 195	6.2	7.6	0.0493
MWF331   XHPI-TP400W S	9191 158 10048	1	503 × 503 × 195	6.2	7.6	0.0493
SWF331   XSON-T400W A	9191 158 10049	1	503 × 503 × 195	6.2	7.6	0.0493
MWF331   XHPI-TP400W A	9191 158 10050	1	503 × 503 × 195	6.2	7.6	0.0493

Note: Ballast of suitable rating shall be packed separately (packing data on request).

