



General Description

General purpose non-integral flood light luminaire suitable for use with High Pressure Sodium Vapour Lamp SON-T 250W/400W and High Pressure Metal Halide Lamp HPI-T 250W/400W.

Features

- High pressure die cast aluminum housing provides robust & sturdy construction
- Epoxy - polyester black powder coated for better protection from outdoor weather conditions
- Compact and new design enhances the aesthetics
- The reflector inside comprises of high purity aluminium electrochemically brightened and anodized for good light control and efficiency
- Special luminaire design and profiled EPDM heat resistant gasket ensures ingress protection of IP 65
- Luminaire is supported with patterned toughened front glass with enhances the looks
- Lamp replacement from behind does not disturb aiming positions and make maintenance quick and easy
- Front glass is supported with stainless steel toggles for greater reliability
- Well graduated disc is provided on the housing for precision aiming
- Conforms to IS specification
- Separate control gear box to be used as per the lamp type

Applications

- Large open areas
- Parks, junctions, roundabouts and toll plazas
- Architectural and building façade lighting
- Sports facilities
- Railway marshalling yards
- Ports and container terminals
- Lighting of industrial and large external storage areas
- Security lighting
- Industrial outdoor areas

Installation

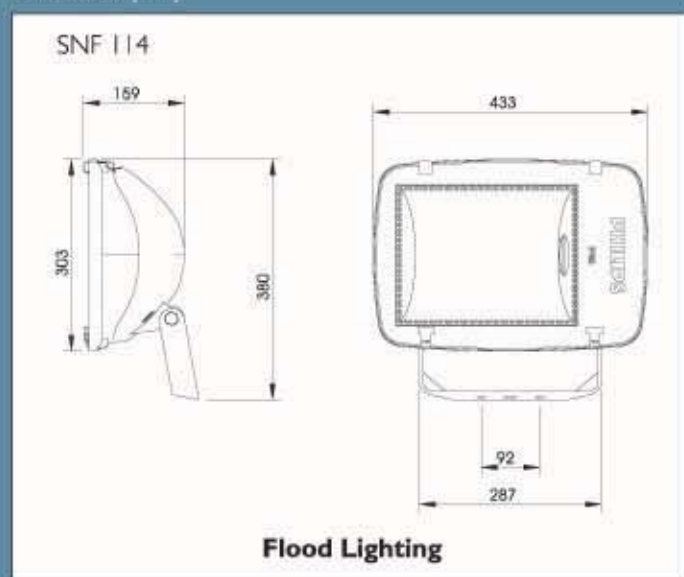
- Cable entry via 10mm max O.D. gland.

Compliances

- IP 65
- Class I



Dimensions (mm)



Flood Lighting

Technical Data

Type	For Lamp	Nominal Voltage (V)	Mains Current (A)	Nominal Power Factor
SNF 114 250W NB	1 x SON-T/ HPI-T 250W	240	1.4 / 1.38	≥ 0.85
SNF 114 250W WB	1 x SON-T/ HPI-T 250W	240	1.4 / 1.38	≥ 0.85
SNF 114 400W NB	1 x SON-T/ HPI-T 400W	240	2.25 / 2.20	≥ 0.85
SNF 114 400W WB	1 x SON-T/ HPI-T 400W	240	2.25 / 2.20	≥ 0.85

Ordering Data

Type	Ordering No	Quantity per box	Dimensions (mm)	Net Weight (kg)	Gross Weight (kg)	Volume (m ³)
SNF 114 250W NB	1311 81845	2	670x380x520	2 x 4.00	10.00	0.133
SNF 114 250W WB	1311 81855	2	670x380x520	2 x 4.00	10.00	0.133
SNF 114 400W NB	1311 81865	2	670x380x520	2 x 4.00	10.00	0.133
SNF 114 400W WB	1311 81875	2	670x380x520	2 x 4.00	10.00	0.133

* To be used with separate CG Box.

