

Uniflood - RVP339

Outdoor
Application

Page 43



Product description

Compact study general proposed low wattage floodlight with integral gear, suitable for 1xMHN-TD / CDM-TD 70 W lamp. The luminaire is specially designed for architectural application with narrow and wide beam to suite various lighting application.

Features

- Pressure die-cast aluminium housing with epoxy-polyester powder coating makes the luminaire withstand environmental conditions for long.
- Aerodynamic design with ergonomic shape makes the luminaire appear elegant and good looking.
- Lamp and gear compartment integrated together provide fast access to lamp as well as gear components to the user.
- Optics: High quality anodized aluminium reflectors specially stitched to offer two type of optics
 - Rotationally symmetric: Parabolic reflector (PR) type for narrow rotationally symmetric beam. Ideal for highlighting details in architectural lighting application.
 - Axially symmetric: Rectangular reflector (RR) type for axially symmetric wide beams. Best for flat façade and bill board lighting.
- Housing embossed protractor and bracket with slot makes aiming easy during installation as well as re-aiming at later dates.
- Ergonomic and rugged bracket for mounting on horizontal surfaces, walls, ceilings and for pole mounting.
- Special heat dissipation fins on housing makes it thermally more stable.
- Toughened glass front cover sits over the profiled gasket and is clamped with SS toggles and hinge arrangement to achieve IP65 protection.

Applications

- Parks • Pathways • Gardens • Sculptures • Structures
- Architectural flood lighting • Bill board lighting

Installation

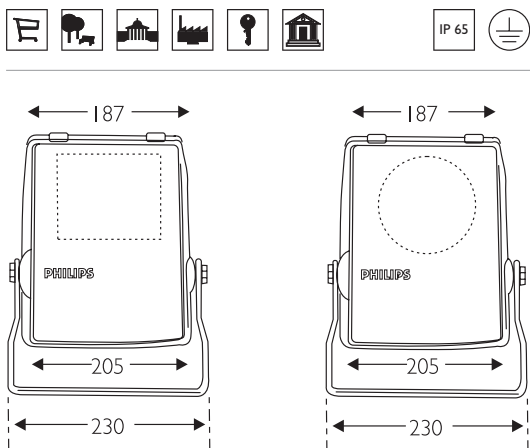
Universal mounting bracket allows wall or surface mounting.

Compliances

- IP 65
- Class I

Technical data

Type	For lamp	Nominal voltage (V)	Main current (A)	Nominal power factor
RVP339 1xCDM-TD70W R	1 x CDM-TD / MHN-TD 70W	240	0.45	> 0.85
RVP339 1xCDM-TD70W PR	1 x CDM-TD / MHN-TD 70W	240	0.45	> 0.85



Technical Drawing

Ordering data

Type	Ordering data	Quantity per box	Dimensions (mm)	Net weight (kg)	Gross weight (kg)	Volume (m3)
RVP339 1xCDM-TD70W R	919115241230	1	365 x 305 x 165	2.06	2.86	0.0180
RVP339 1xCDM-TD70W PR	919115241231	1	365 x 305 x 165	2.06	2.86	0.0180

Note: Ballast of suitable rating shall be packed separately (packing data on request).

